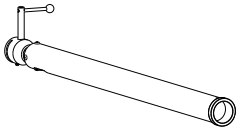
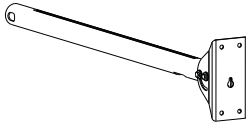


# How to reassemble?



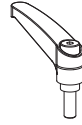
A (x1)



B (x1)



C (x1)

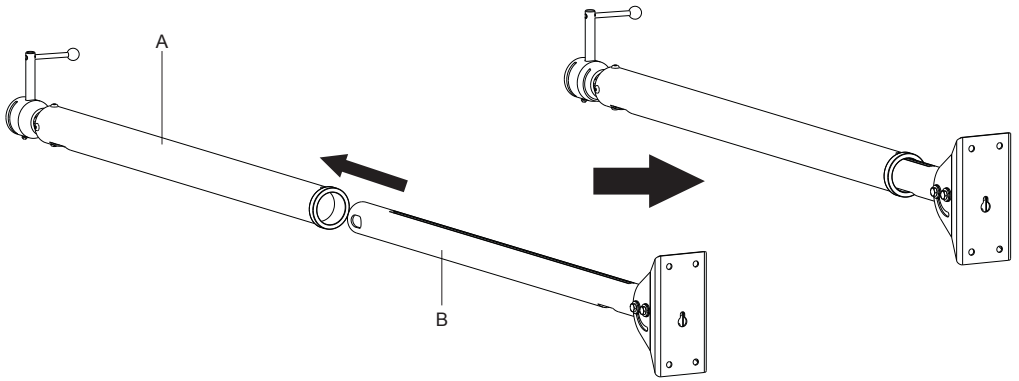


D (x1)



E (x1)

1



2

